

## Handling System for Dishwasher Basic tables - Pre-wash infill tops

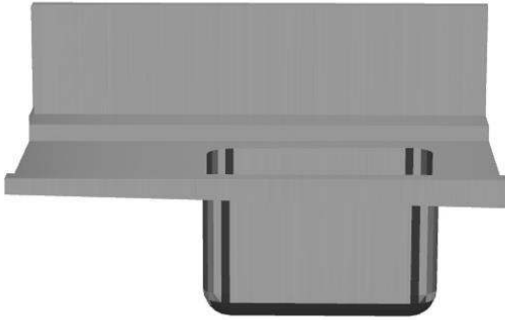
ITEM # \_\_\_\_\_

MODEL # \_\_\_\_\_

NAME # \_\_\_\_\_

SIS # \_\_\_\_\_

AIA # \_\_\_\_\_



**865487 (BHRPITB10R)** Prewash infill top with sink for  
Rack Type Dishwasher  
(500x400 mm), Right>Left,  
1000 mm

**865488 (BHRPITB10L)** Prewash infill top with sink for  
Rack Type Dishwasher  
(500x400 mm), Left>Right,  
1000 mm

### Short Form Specification

**Item No.** \_\_\_\_\_

Designed for rack type dishwasher.

Constructed in 304 AISI stainless steel with splashback.

Pre-wash sink size 500x400x300h mm with overflow pipe, drain hole and plastic siphon.

Attachment with Rack Type dishwasher on one side and basic sorting table on the other side.

Basket direction: either from right to left (865487) or from left to right (865488).

### Main Features

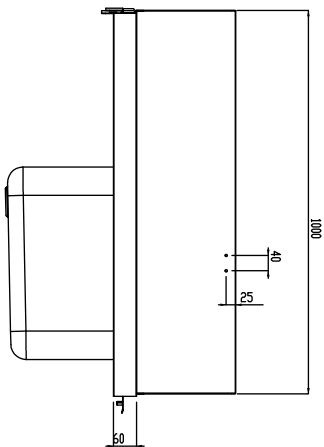
- The pre-wash infill top intended for installation between a rack type dishwasher and sorting table on the loading side.
- Designed for 500x500 mm dishwashing racks.

### Construction

- All surfaces smooth with polished finish.
- 304 AISI stainless steel construction throughout.
- Deep anti-drip profiles completely folded with lower edge for safe and easy cleaning.
- Included splashback to prevent water spatter.
- Optionally equipped with pre-rinse unit, strainer basket and scrape plate.

APPROVAL: \_\_\_\_\_

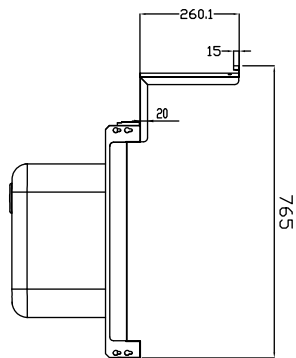
**Front**



**Key Information:**

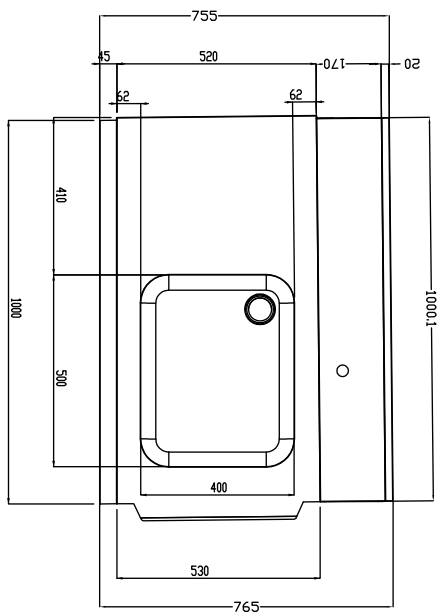
External dimensions, Width:	
865487 (BHRPITB10R)	1000 mm
865488 (BHRPITB10L)	1000 mm
External dimensions, Depth:	755 mm
External dimensions, Height:	1170 mm
Net weight:	16 kg
Height adjustment:	0/0 mm

**Side**



D = Drain

**Top**





# Handling System for Dishwasher Basic tables - Pre-wash infill tops

Optional Accessories

	865487	865488
855297 - Dish scraper	✓	✓
865386 - Floor fastening kit for 2 square legs	✓	✓
865418 - Removable bridge table, 800 mm	✓	✓
865419 - Removable bridge table with hole, 800 mm	✓	✓



Handling System for Dishwasher  
Basic tables - Pre-wash infill tops

The company reserves the right to make modifications to the products  
without prior notice. All information correct at time of printing.

2025.01.17